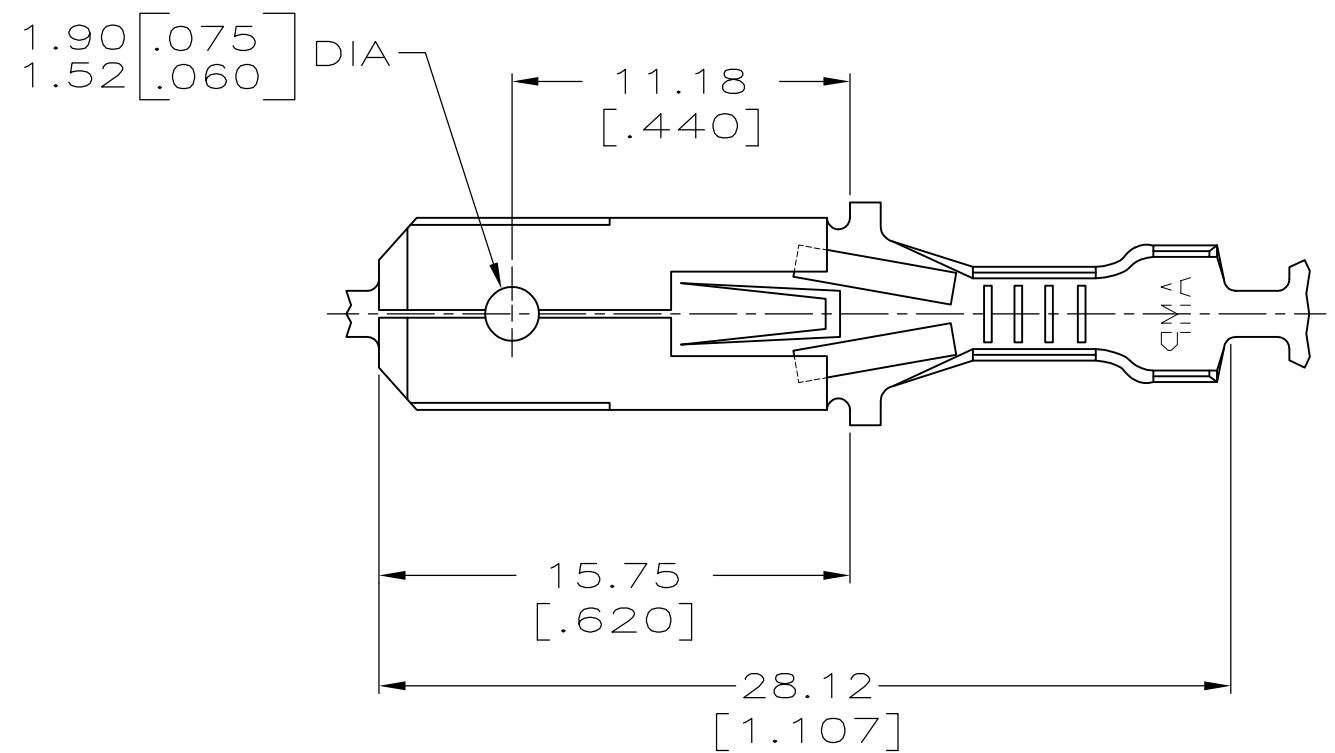
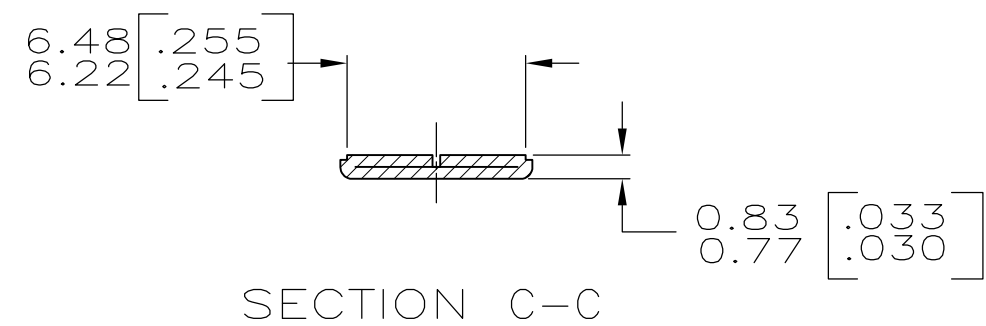


THIS DRAWING IS UNPUBLISHED. RELEASED FOR PUBLICATION
 © COPYRIGHT - By - ALL RIGHTS RESERVED.

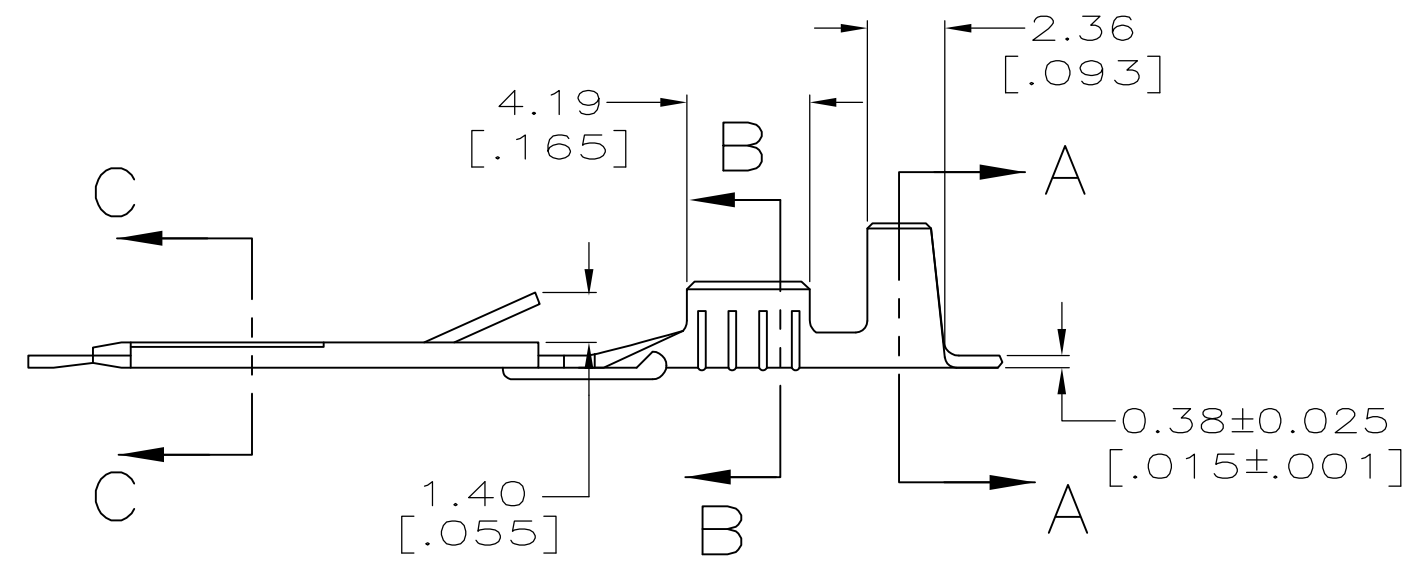
LOC	DIST	REVISIONS			
P	LTR	DESCRIPTION	DATE	DWN	APVD
AF	50	N	REVISED PER ECR-13-005733	28AUG2013	KH PD



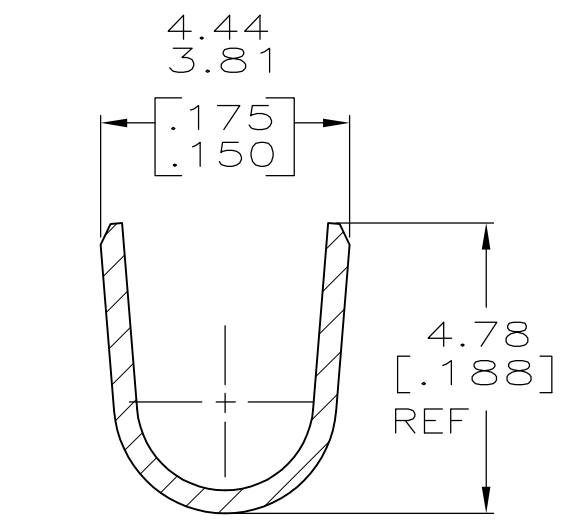
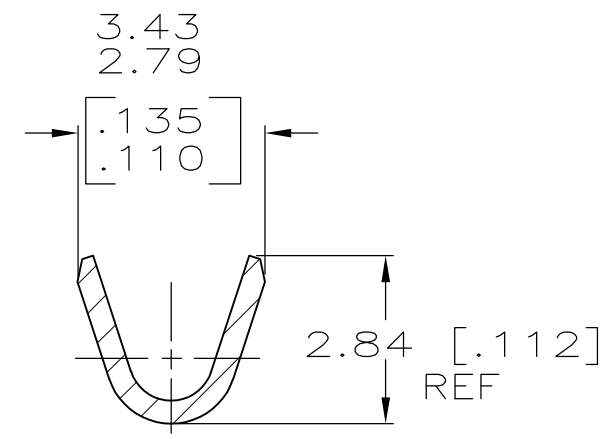
- 1 CONTINUOUS STRIP ON REELS.
- 2 WIRE SIZE [#22-#18] AWG.
- 3 INSULATION RANGE IS 2.16-3.18 [.085-.125] DIA.



SECTION C-C



SECTION B-B
SCALE 8:1



SECTION A-A
SCALE 8:1

PRE-TIN	62553-4
TIN	62553-3
-	62553-1
FINISH	PART NO.

THIS DRAWING IS A CONTROLLED DOCUMENT.		DWN	JR RUTH	3/27/97	TE Connectivity NAME TAB, FASTIN-FASTON, 6.35 [.250] SERIES					
DIMENSIONS: mm [INCHES]		CHK	MS FEHER	3/27/97				SIZE		
TOLERANCES UNLESS OTHERWISE SPECIFIED:		APVD	J GILLESPIE	3/27/97				CAGE CODE		
0 PLC ± - 1 PLC ± - 2 PLC ± 0.38 [.015] 3 PLC ± - 4 PLC ± - ANGLES ± -		PRODUCT SPEC	-	DRAWING NO						
MATERIAL		APPLICATION SPEC	114-2025	RESTRICTED TO			-			
BRASS		FINISH	SEE TABLE	WEIGHT	-	A300779				
CUSTOMER DRAWING				SCALE	4:1	SHEET	1 OF 1			
				REV	N					